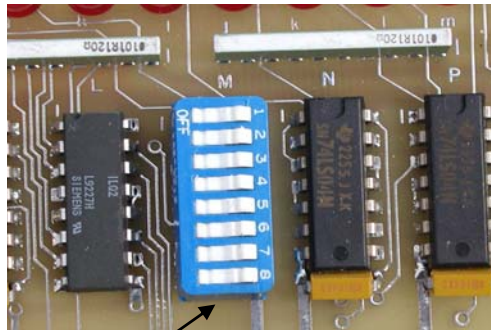


# Egghead Tech Tip #1

Egghead Tech Tips was created to save you money by simple steps that you can do in troubleshooting your circuit board.

## Egghead Tech Tip #1      DIP Switch settings

Before you have determined that you have a defective circuit board, check the DIP Switch settings. There are times when I'm troubleshooting a board, the only defect is a incorrect DIP switch setting.



Typical DIP switch.

Check to make sure that the DIP switches are set correctly according to the manufactures specification.

If the switch settings are correct and the board still malfunctions, Egghead Tech Services, Inc. can diagnose the problem with equipment specifically designed to simulate the exact loads.

Repairs performed are warranted for 90 days. Our goal is complete customer satisfaction. We are your servants. Thank you for the opportunity to serve you.

Please send defective circuit board to :

Egghead Tech Services, Inc.  
10051 E. Highland Rd. Ste. 29-388  
Howell, MI 48843-6317

Ph. (517) 546-0115  
Fax (517) 548-4712